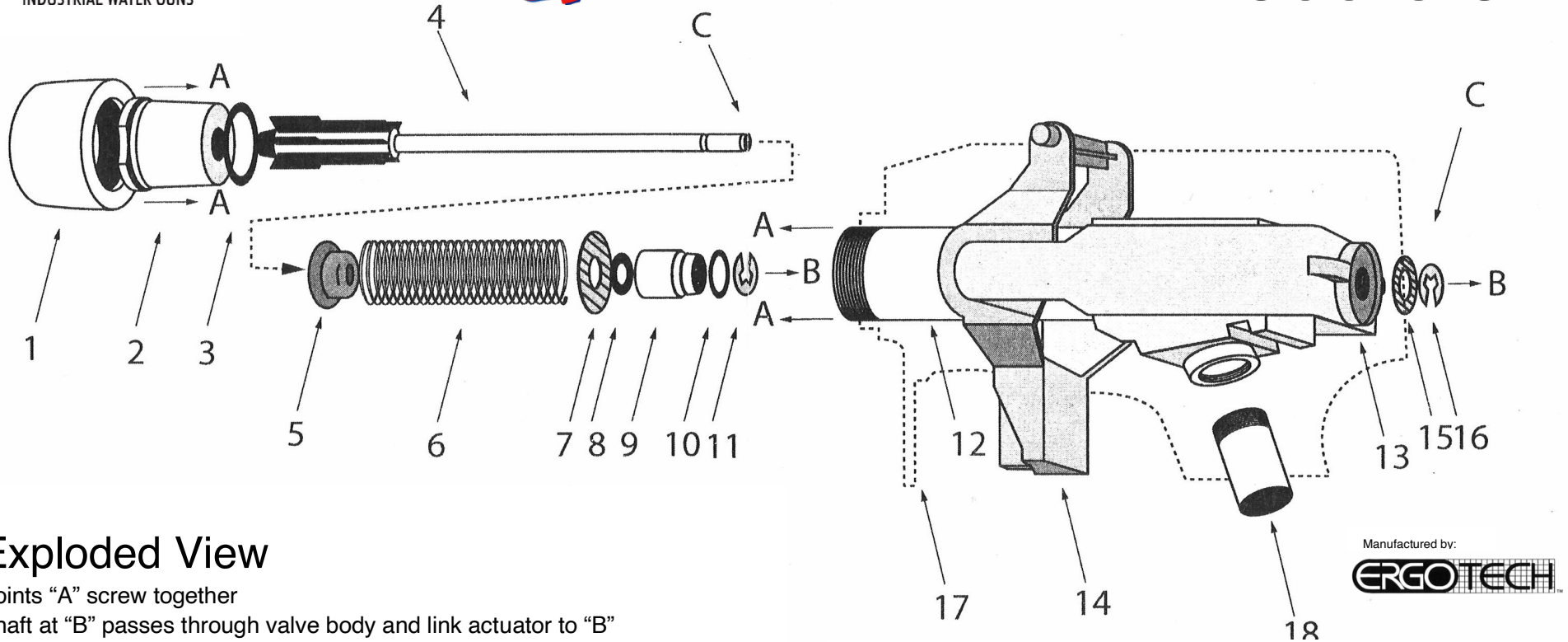




MODEL: WB-800-3/8-L



Manufactured by:
ERGOTECH

Exploded View

Points "A" screw together

Shaft at "B" passes through valve body and link actuator to "B"

E-Ring "C" snaps over shaft at "C"

- | | |
|----------------------------|----------------------------|
| 1. Nozzle Shroud | 10. Shaft Bushing "O" Ring |
| 2. Nozzle Adaptor | 11. "E" Ring |
| 3. Nozzle Adaptor "O" Ring | 12. Valve Body |
| 4. Valve Stem | 13. Trigger |
| 5. Stainless Spring Guide | 14. Link Actuator |
| 6. Stainless Steel Spring | 15. Washer |
| 7. Rear Thrust Washer | 16. "E" Ring |
| 8. "O" Ring | 17. Housing |
| 9. Shaft Bushing | 18. Inlet Pipe |

Repair Kit "RK-800-A" contains parts 1-3

Repair Kit "RK-800-B" contains parts 1-11 and 13-17

**Utilizes Interchangeable Spray Nozzles and can be used with Spray Wands*

Distributed by:



Glomatek Corporation
6574 N. State Rd 7 | Unit 250
Coconut Creek | Florida | 33073 | USA
Tel: +1 954 861 0181 | Fax: +1 954 653 3148